

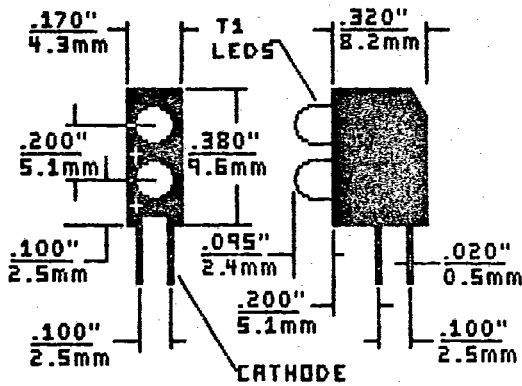
# LUMEX-Lites®

## FAMILY SERIES SSF-LXH2103XX MAIN FEATURES

- SPACE SAVING PIGGY-BACK TWO (T-1) LED HOLDER
- .100" SQUARE CENTERS BOARD PLACING
- LIMITLESS COLOR COMBINATIONS
- 2mA OPERATION
- DIALIGHT 553 SERIES COMPATIBLE

### PACKAGE DIMENSIONS

(Dimensions in Millimeters)



#### HOUSING MATERIAL:

Nylon, Black UL V94-0

### WHERE AND HOW TO USE THIS SERIES

- P.C. BOARD INDICATORS
- CIRCUIT FAULT INDICATORS—P.C. MOUNTABLE
- LOGIC STATUS INDICATORS—P.C. MOUNTABLE
- BA

#### Limits of Safe Operation (at 25°C)

Color	Power Dissip.	Power Derating Over +25°C/°C	Continuous IF Max.
Red	170 mW	-1.4 mW	50 mA
Br-Red (H)	110 mW	-1.2 mW	35 mA
Green	110 mW	-1.2 mW	35 mA
Yellow	110 mW	-1.2 mW	35 mA
Ora/Red	110 mW	-1.2 mW	35 mA

Peak Forward Current (1µs Pulse .03% Duty Cycle) 1.0 A  
Storage and Operating Temperature -55 to +100°C  
Soldering Time @ 230°C 5 Sec. Max.

### PART SELECTION AND APPLICATION INFORMATION (RATINGS AT 25°C AMBIENT)

Lumex Part Number	Use Code	Current Rating Per Led	Voltage Rating Per Led	Upper/Lower Light Color Each Led	Epoxy Lens Color Each Led	Avg Brightness At 20 mA (IF)	Lumex-Lite Led Used
SSF-LX2103RRD	B,C	5-25 mA	1.6-2.4 VDC	Red/Red	Red	3.0 MCD	SSL-LX30F2
SSF-LX2103IID	B,C	5-25 mA	2.1-2.8 VDC	Ora-Red/Ora-Red	Red	10.0 MCD	SSL-LX30F2
SSF-LX2103IID	B,C	5-25 mA	2.1-2.8 VDC	Ora-Red/Ora-Red	Red	10.0 MCD	SSL-LX30F2
SSF-LX2103GGD	B,C	5-25 mA	2.1-2.8 VDC	Green/Green	Green	6.0 MCD	SSL-LX30F2
SSF-LX2103YYD	B,C	5-25 mA	2.1-2.8 VDC	Yellow/Yellow	Yellow	7.0 MCD	SSL-LX30F2
SSF-LX2103IGD	B,C	5-25 mA	2.1-2.8 VDC	Ora-Red/Green	Red/Green	8.0 MCD	SSL-LX30F2
SSF-LX2103GID	B,C	5-25 mA	2.1-2.8 VDC	Green/Ora-Red	Green/Ora-Red	8.0 MCD	SSL-LX30F2
SSF-LX2103YID	B,C	5-25 mA	2.1-2.8 VDC	Yellow/Ora-Red	Yellow/Red	8.0 MCD	SSL-LX30F2
SSF-LX2103IYD	B,C	5-25 mA	2.1-2.8 VDC	Ora-Red/Yellow	Red/Yellow	8.0 MCD	SSL-LX30F2
SSF-LX2103SRRD	B,C	2-25 mA	1.6-1.9 VDC	Sup-Red/Sup-Red	Red/Red	30.0 MCD	SSL-LX30F2

Available in any color combinations Bi Color, Bi Polar, Single Led.



Use Code (A) Front Panels (B) Fault Indicator (C) Backlighting (D) Bright Point or Spot  
See page 6 for typical operating curves